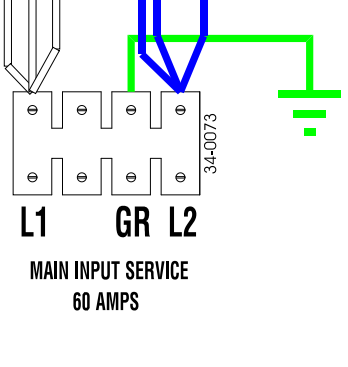
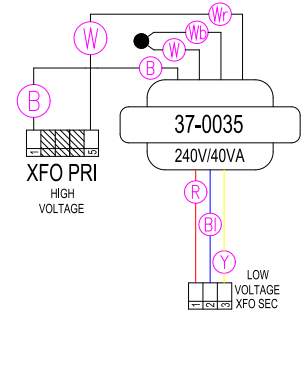
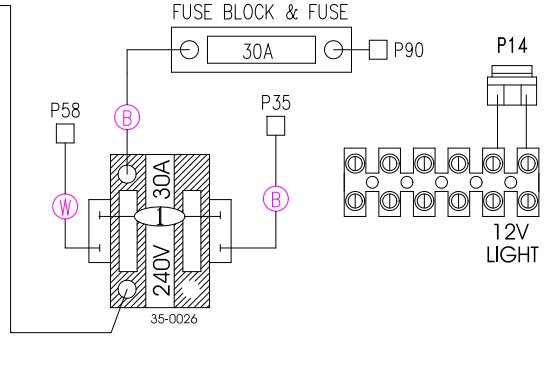
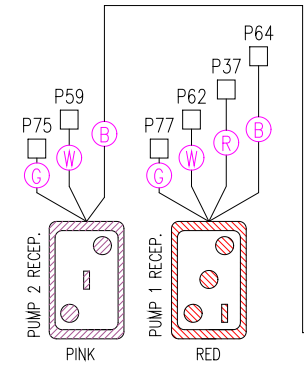
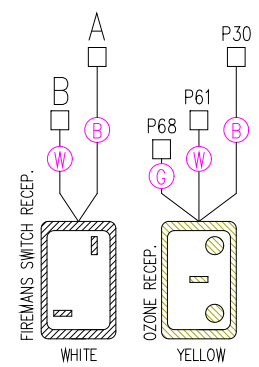
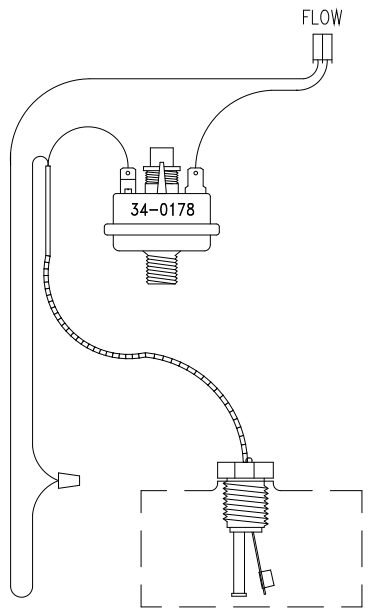
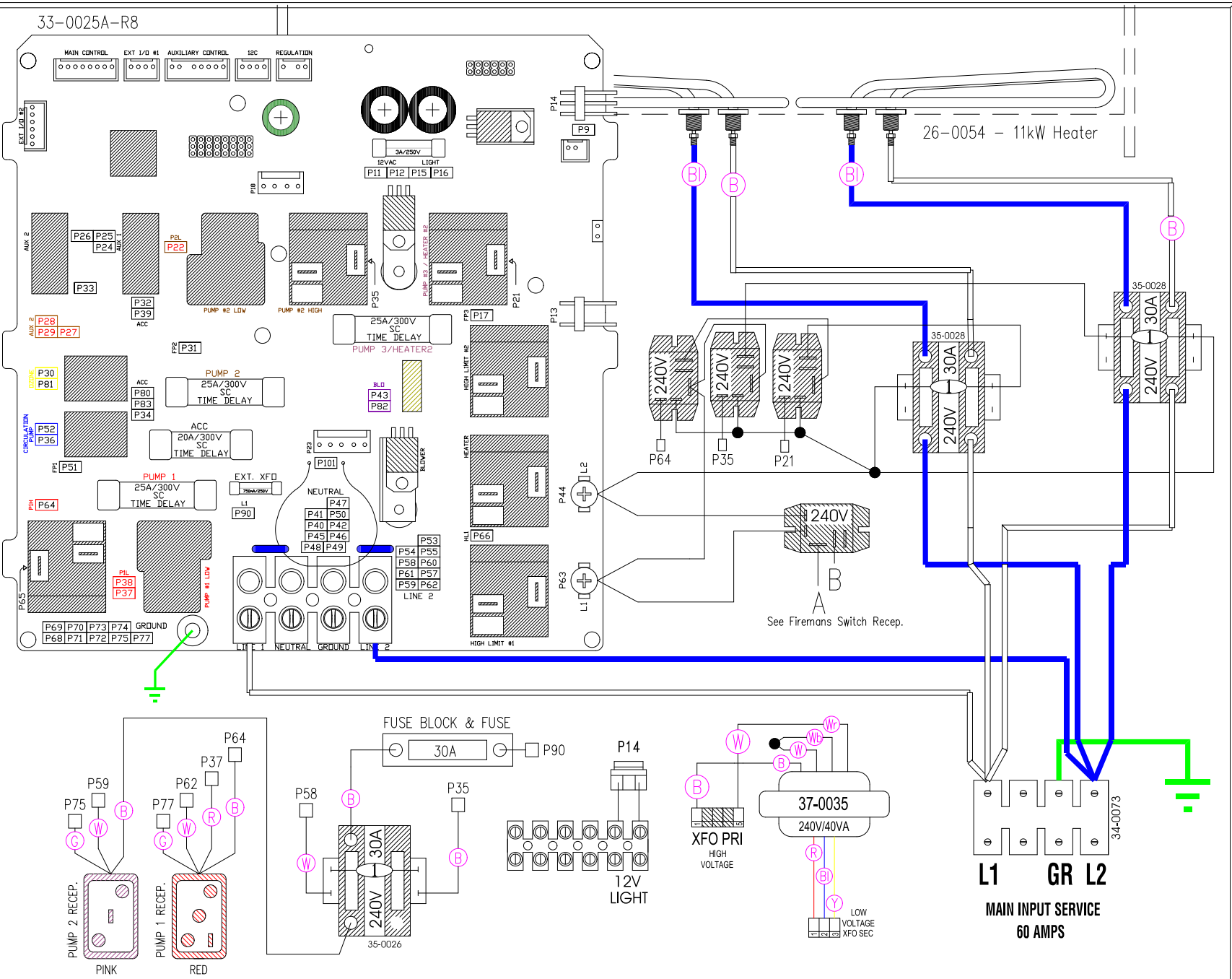


LEGEND	
□	- 1/4" QUICK CONNECT
▢	- 1/4" PIGGYBACK
⊞	- FORK CONNECTOR
○	- RING CONNECTOR
◻	- SOCKET CONNECTOR
△	- PIN CONNECTOR



HYDRO-QUIP
CORONA, CA (909) 273-7575

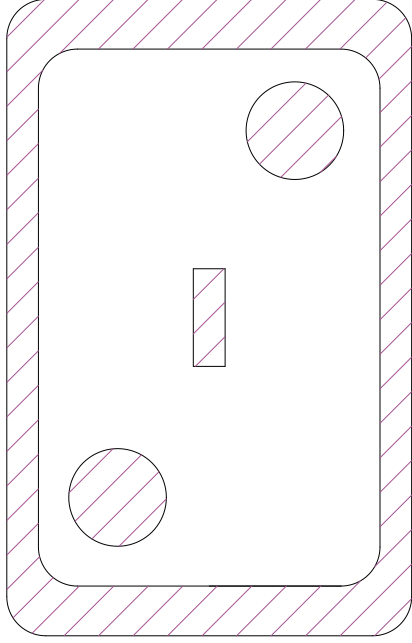
Manufacture Notes:

Dwg. No.
G822A0-KLPQY-J

Drawn MBS
Date 10.03.07
Diagram No. 5159

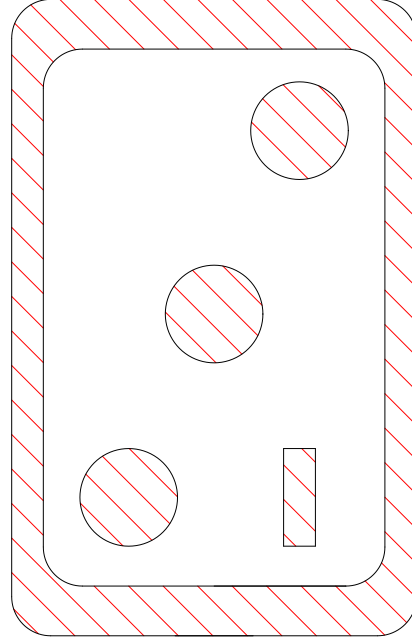
Wire Color Code	
B - Black	G - Green
Br - Brown	Bl - Blue
R - Red	V - Violet
O - Orange	W - White
Y - Yellow	Gr - Gray

PUMP 2 RECEP.



PINK

PUMP 1 RECEP.



RED



Manufacture Notes: